

DX-D 100

MOBILE DR SOLUTION

With its excellent image quality and handling, the mobile DX-D 100 offers fast imaging that can be validated immediately.

- Fast assessment of images after exposure
- Improved patient comfort
- Increased productivity, for lower cost per exam
- Higher image quality, for improved diagnostic effectiveness
- Dose reduction potential for all users, in particular in pediatric and neonatal environments
- Easy to operate and position both precisely and safely, with portable DR detector and motorized control
- MUSICA processing for excellent contrast detail and exam-independent, consistent image quality
- Excellent connectivity to PACS, HIS/RIS and imagers
- High effective generator power, for shorter exposure times and sharper images
- Efficient battery capacity due to separate battery packs for driving and imaging

Patients who most need imaging exams may lack the mobility necessary to move to the X-ray room or to position themselves properly for optimum imaging. This is where Agfa mobile DX-D 100 comes into its own. Designed for mobile use, DX-D 100 can handle a broad range of general radiography X-ray studies, even for the least mobile patients. The very short exposure time means images are available immediately and can be validated straight away after exposure. The higher productivity and image quality translate into lower cost per exam and higher diagnostic efficiency.

What's more, the higher image quality also means potential dose reduction for patients and operators. With excellent handling capabilities it reduces patient waiting times and increases diagnostic confidence. The DX-D 100 further answers the need for constant enhancement of patient comfort and performance of your radiology department.





On the go: easy handling for radiology exams

The DX-D 100 has been designed to offer full mobility combined with excellent image quality, using a DX-D 10/20 portable DR detector. The large servo driven wheels and small width of the unit provide effortless handling of the DX-D 100 around the patient, even in very small areas.

View images immediately after exposure

Thanks to the very fast preview times, images can be viewed immediately. Therefore you can verify right away that no retake is necessary, without moving the patient or the DX-D 100. But you don't have to trade quality for speed and portability: 139 micron pixels give you the high resolution of a full-size a-Si detector, at the patient's bedside.

MUSICA: tuned for the best results

The 'gold standard' MUSICA image processing has been specially adapted and tuned to further enhance the excellent DR image quality. Exam-independent, it provides consistent image quality and high contrast detail. The excellent image quality also gives the potential for significant dose reduction, especially important in pediatrics and neonatal.

The intuitive NX workstation: a more efficient workflow

The DX-D 100 has an integrated NX workstation, for an optimal workflow. When a specific type of exam is selected, the appropriate X-ray settings are automatically transferred to the X-ray generator and displayed on the touch-screen console. NX adds the exposure parameters used to the digital image file, and communicates seamlessly with PACS, HIS and RIS, eliminating manual data entry and typographical errors.

A quick and easy way to go Direct Digital!

With the DX-D 100, you can enjoy the productivity benefits of Direct Digital, including a lower cost per exam. The immediate image acquisition permits a faster exam time, with improved operator productivity and patient comfort. Patients also benefit from shorter waiting times, higher diagnostic confidence and lower doses.

Services & Support

Agfa offers service agreement solutions tailored to the individual customer's situation. The service agreements are available in Basic, Comfort and Advanced levels, making lifecycle costs predictable.

A worldwide team of some 1000 service professionals is at your disposal to provide support at all phases of your project. As an additional service, they can help you customize your examination tree or link RIS protocol codes, for an even higher return on investment. Furthermore, this team carries out tasks that go well beyond maintenance, including value added services such as super user training, staff training and software upgrades.

Technical Specifications

X-RAY GENERATOR

- kW: 20 – 50 kW
- kVp range*: 40 – 150 kVp
- mA range*: 10 – 500 mA selectable
- Exposure time range: 0.001 – 10 sec.
- mAs range*: 0.1 – 500 mAs

TUBE ARM/STAND

- Counterbalanced tube arm
- Tube arm reach: 1250 mm (49.2")
- Column rotation: $\pm 315^\circ$
- Maximal SID to floor: 2050 mm (80.7")
- Minimal SID to floor: 550 mm (21.6")

PORTABLE DX-D 10 (CASSETTE SIZE) AND DX-D 20 (WITH HANDLE)

- Detector type: Amorphous Silicon Detector (a-Si)
- Conversion screen: CsI or GOS
- Pixel pitch: 339 μm
- Pixel area: 427 x 356 mm
- Pixel matrix: 3072 x 2560 pixels
- Outer dimensions:
 - DX-D 10: 460 x 384 x 15 mm
 - DX-D 20: 492 x 475 x 23 mm
- Weight:
 - DX-D 10: 3.9 kg
 - DX-D 20: 4.9 kg

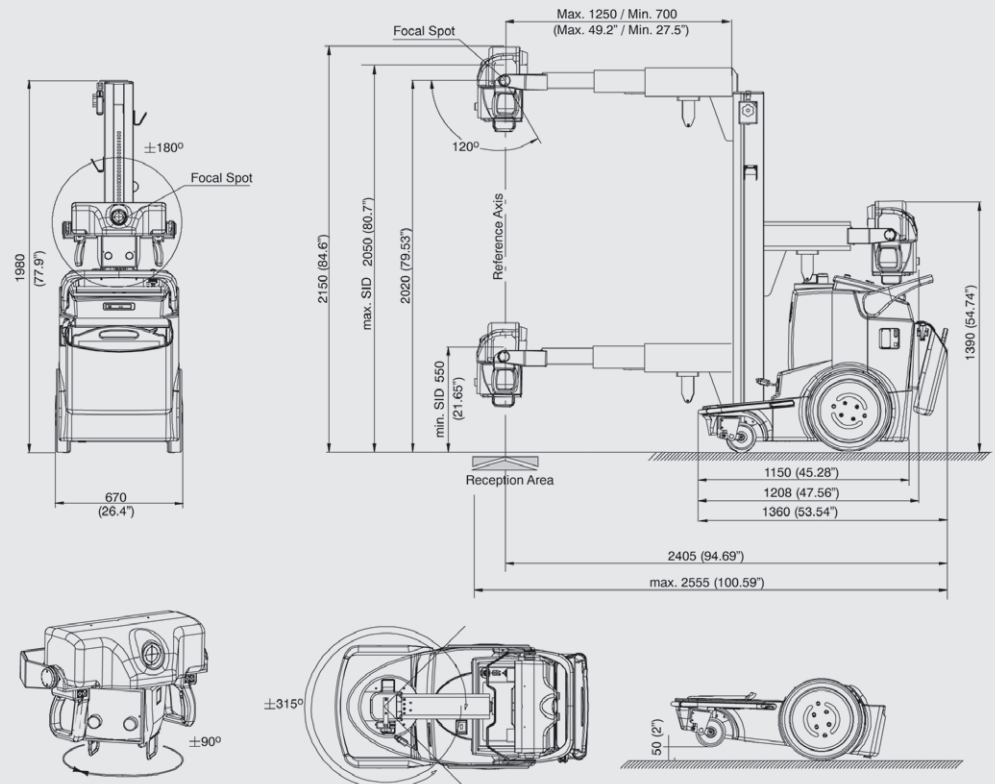
MOBILE UNIT

- Weight: 575 kg (1268 lbs)
- Size (L x W x H): 1360 x 670 x 1980 mm (53.54 x 26.4 x 77.9")
- Touch screen console: 430 mm (17")
- Anti-collision system: Frontal and lateral
- Motorized unit: Up to 4 km/h
- Line requirements: Standard grounded outlet 100 - 240 Vac ($\pm 10\%$)
- Max. input power: 1 kVA
- Motor Drive (Standard): 2 independent drive motors, one for each wheel (forward and reverse)
- Battery systems: 2 independent systems for driving and imaging
- Collimator: Manual collimator with SID meter

OPTIONS

- IR remote control
- Dose Area Product Meter

* Depending on generator model



Technical Specifications

GENERATOR VERSIONS

Generator model	SM-20HF-B-D-V	SM-32HF-B-D-V	SM-40HF-B-D-V	SM-50HF-B-D-V
■ Max. power kW	20 kW	32 kW	40 kW	50 kW
■ Max. mA	320 mA	500 mA	500 mA	500 mA
■ Min. kVp	40 kVp	40 kVp	40 kVp	40 kVp
■ Max. kVp	125 kVp	150 kVp	150 kVp	150 kVp
■ Power Output (@ 0.1 s)	320 mA @ 62 kVp 250 mA @ 80 kVp 200 mA @ 100 kVp 160 mA @ 125 kVp	500 mA @ 64 kVp 400 mA @ 80 kVp 320 mA @ 100 kVp 250 mA @ 128 kVp 200 mA @ 150 kVp	500 mA @ 80 kVp 400 mA @ 100 kVp 320 mA @ 125 kVp 250 mA @ 150 kVp	500 mA @ 100 kVp 400 mA @ 125 kVp 320 mA @ 150 kVp
■ Compatible X-ray Tubes	E7865X	E7865X	E7884X	E7884X

X-RAY TUBES

Type	E7865X	E7884X
■ Nominal voltage	150 kV	150 kV
■ Nominal focus spot value	0.3 mm/1 mm	0.6 mm/1.2 mm
■ Nominal power small focus	3.2 kW	20 kW
■ Nominal power large focus	36.5 kW	50 kW
■ Anode target angle	12°	12°
■ Anode diameter	74 mm	74 mm
■ Anode heat content	100 kJ (140 KHU)	210 kJ (300 KHU)
■ Anode rotation speed	Minimum 2700 min-1	Minimum 2700 min-1

For more information on Agfa, please visit our website on www.agfa.com ■

Agfa and the Agfa rhombus are trademarks of Agfa-Gevaert NV, Belgium, or its affiliates. MUSICA and DX are trademarks of Agfa-Gevaert NV, Belgium, or its affiliates. All rights reserved. All information contained herein is intended for guidance purposes only, and characteristics of the products and services described in this publication can be changed at any time without notice. Products and services may not be available for your local area. Please contact your local sales representative for availability information. Agfa-Gevaert NV diligently strives to provide as accurate information as possible, but shall not be responsible for any typographical error.

© 2018 Agfa NV
All rights reserved
Published by Agfa NV
Septestraat 27 - 2640 Mortsel
Belgium

5PUHG GB 00201808